



INSTALLATION INSTRUCTIONS

Accessory
**PLOW MOUNT
P/N 0SL73-HL4-A00**

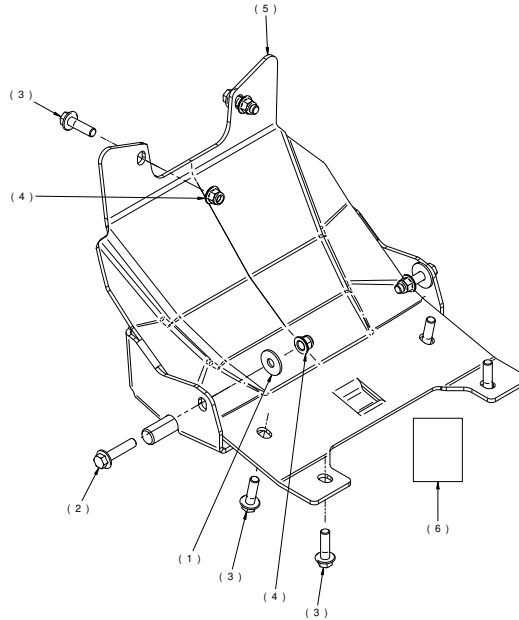
Application
**SXS1000M3P/3D/3LS
SXS1000M5P/5D/5LS**

Publication No.
MII 17762

Issue Date
November 2021

Honda Dealer: Please give a copy of these instructions to your customer.

PARTS LIST



No.	Description	Qty
(1)	Fender Washer M10	2
(2)	14 mm x 45 mm hexagonal flange bolt M10 - 1.25	2
(3)	14 mm x 35 mm hexagonal flange bolt M10 - 1.25	6
(4)	14 mm hexagonal flange nut M10 - 1.25	4
(5)	Mount plate assembly	1
(6)	Installation Instructions URL	1

TORQUE CHART

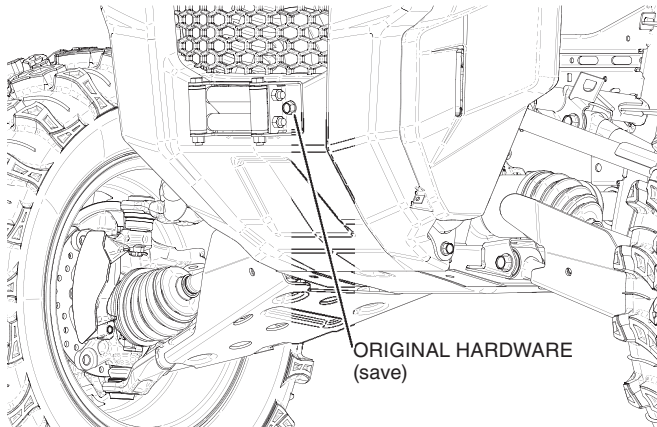
Item	N·m	Kfg.m	lbf.ft
10 x 35 mm hexagonal flange bolt	49	5	36
10 x 45 mm hexagonal flange bolt	68	6.9	50

TOOLS REQUIRED

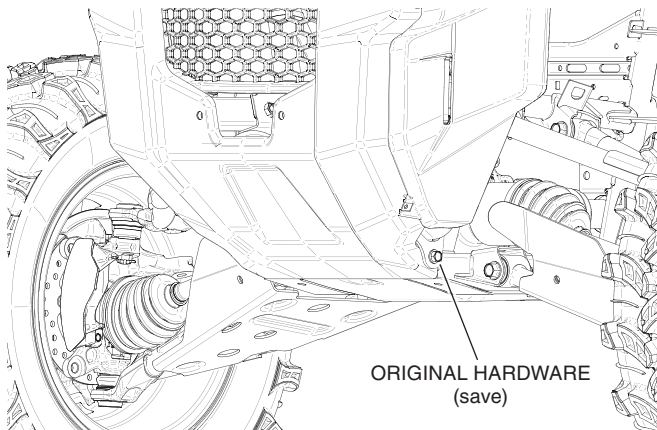
Socket (14 mm) Torque wrench
Ratchet

INSTALLATION

1. Remove original hardware from the winch fairlead.

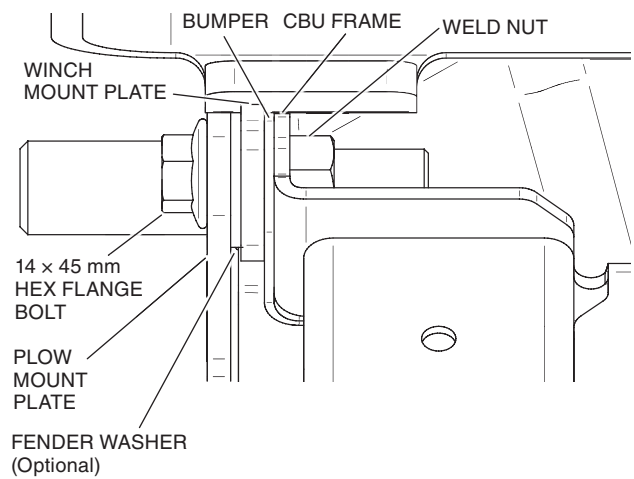
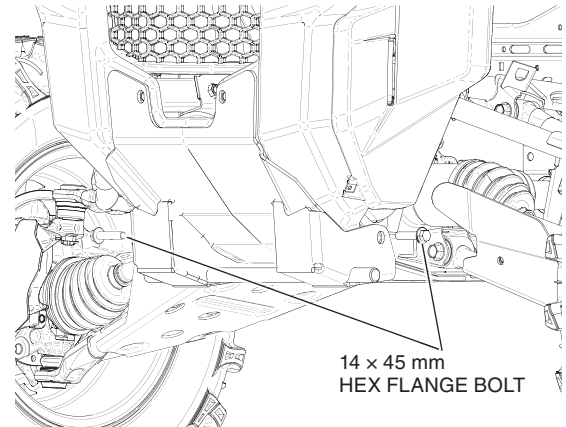


2. Remove original hardware from the winch mount plate and bumper, on each side.

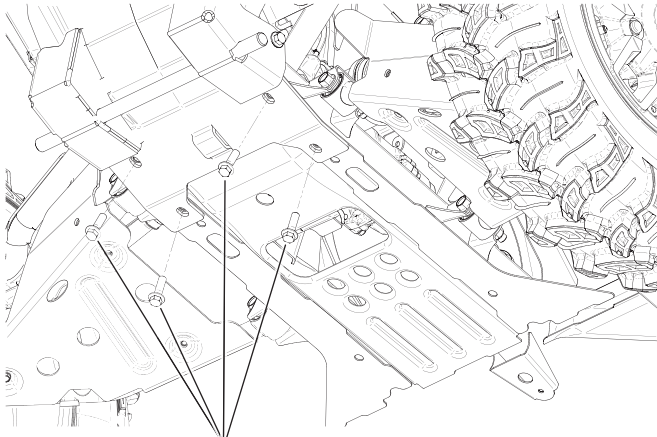


3. Install the mount plate (item 5) on the vehicle using two screws 14 mm × 45 mm M10 – 1.25 (item 2), one on each side, into the existing weld nuts of the CBU frame (passing through the plow mount plate, the winch mount plate and the bumper). Hand tighten.

NOTE: If there is a gap between the bumper and the mount plate, install a fender washer (item 1) between them to fill the gap. Check both sides.

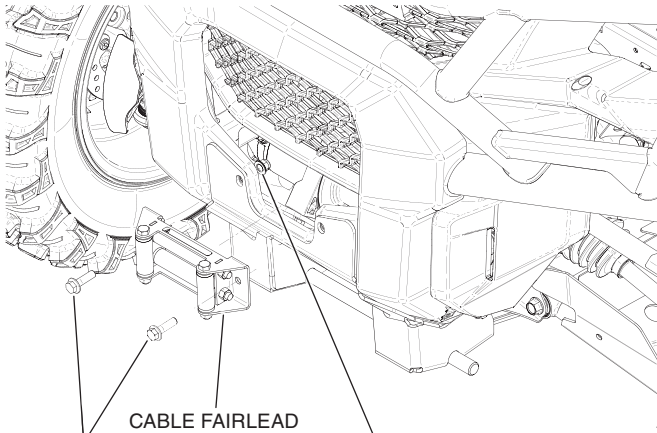


4. While holding the plow mount plate up against the bumper and the frame, install four screws 14 mm x 35mm M10 – 1.25 (item 3) into the existing weld nuts of the CBU frame. Tighten the bolts to the values specified in the TORQUE CHART.



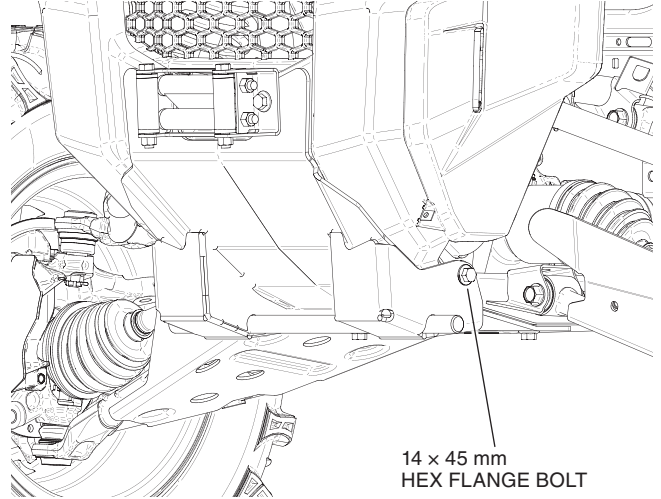
14 x 35 mm
HEX FLANGE BOLT

5. Reinstall the cable fairlead using two screws 14 mm x 35 mm M10-1.25 (item 3) and two 14mm hex nylon flange nuts (item 4). Tighten the bolts to the values specified in the TORQUE CHART.



CABLE FAIRLEAD
14 x 35 mm
HEX FLANGE BOLT 14 mm HEX FLANGE
NYLON NUT

6. Tighten both screws installed at step 3 to the values specified in the TORQUE CHART.



14 x 45 mm
HEX FLANGE BOLT